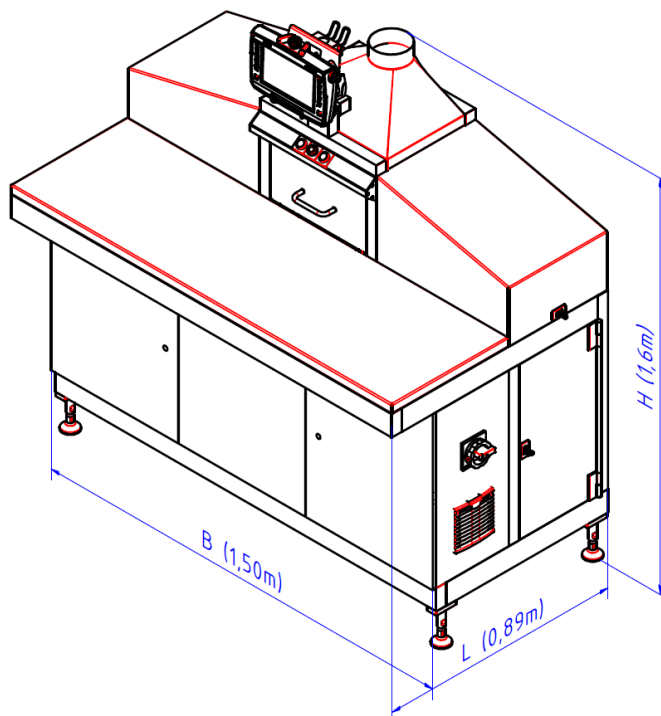


Technical data lab scale IR fibre sealing 2024 (re-design)
Article no.: B-0023995



Dimensions /set-up

Parameters	Value
Length (L):	0,89 m
Width (B):	1,50 m
High (H):	1,60 m (plus length exhaust pipe)
Weight	341 kg

Chart 1: Technical data – Dimensions/set-up

Electrical connection / energy consumption

Parameters	Value
Connection/voltage	3L/N/PE 3x 230V AC (CEE 16A)
Mains frequency	50 Hz
Control voltage (internal)	24 V DC
Power	4,3 kW
Electricity	13,5 A
Maximum pre-fuse	16 A C/gG

Chart 2: Technical data – Electrical connection/ energy consumption

Operating parameters

Parameters	Value
Product length	260 mm – 340 mm
Infrared emitter	96 mm x 96 mm
Maximum payload	1 product with matching product pick-up
Maximum sealing temperature	860 °C
Sealing time	adjustable
Product pick-up (option)	customizable

Chart 3: Technical data – Operating parameters**Productivity and emissions**

Productivity depends on the type of use (e.g. series production or sample production).

Noise caused by the machine (continuous sound pressure level) does not exceed 75 dB (A).